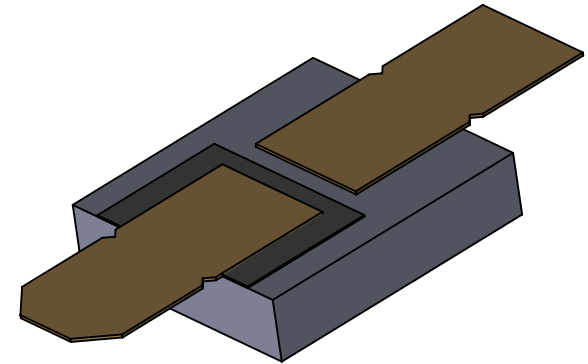
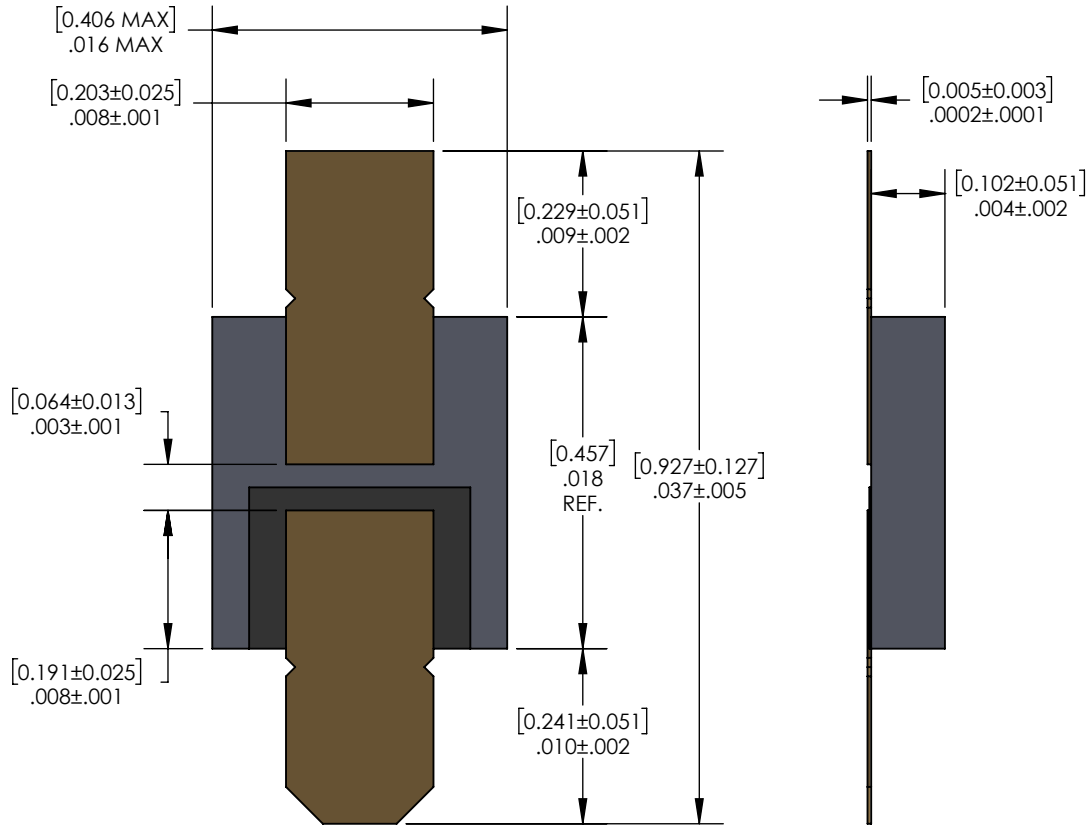


REVISIONS							
ZONE	REV	ECN#	DESCRIPTION	DATE	ENG. APPR.	QC. APPR.	PROD. APPR.
	A	1811	INITIAL RELEASE	3/6/19			
	B	5057	UPDATED TO NEWER DIMENSION VIA MASK SET	7/26/2021			



- NOTES:
1. MATERIAL: SILICON
 2. LEAD TERMINATION METALLIZATION: 5-9 MICRONS Au.

<p>UNLESS OTHERWISE SPECIFIED INTERPRET DRAWING PER ASME Y14.5 DO NOT SCALE THIS DRAWING</p> <p>NOTE: THIS DRW INCORPORATES THIRD ANGLE PROJECTION</p> <p>SemiGen CONFIDENTIAL INFORMATION SUBJECT TO NDA</p> <p><small>The information contained in this document or material is the valuable and confidential property of SemiGen Technology Solutions Holdings, Inc. and/or its subsidiaries or affiliates (collectively "SemiGen"), provided to you subject to a non-disclosure agreement between you and SemiGen solely for use in supporting SemiGen's business and for the extent SemiGen authorizes in writing from time to time. This information shall be held in strictest confidence and shall not be reproduced, published, disclosed to others, or used for any purpose except as and to the extent specifically authorized for reproduction. This legend must be included in any and all copies. This document or material shall be promptly returned to SemiGen or destroyed upon request, completion of the use for which it was made available to recipient, or termination of SemiGen's relationship with recipient, whichever first occurs.</small></p>	<p>UNLESS OTHERWISE SPECIFIED DIMENSIONS ARE IN INCHES</p> <table border="1"> <thead> <tr> <th colspan="2">TOLERANCES ON</th> </tr> <tr> <th>DECIMALS</th> <th>ANGLES</th> </tr> </thead> <tbody> <tr> <td>.X ± .1</td> <td rowspan="4">±0.5°</td> </tr> <tr> <td>.XX ± .02</td> </tr> <tr> <td>.XXX ± .005</td> </tr> <tr> <td>.XXXX ± .0005</td> </tr> </tbody> </table> <p>UNLESS OTHERWISE SPECIFIED 63 / ALL OVER</p>	TOLERANCES ON		DECIMALS	ANGLES	.X ± .1	±0.5°	.XX ± .02	.XXX ± .005	.XXXX ± .0005	<p>SemiGen 54 Grenier Field Rd. RF PRODUCTS SERVICES SOLUTIONS Londonderry, NH 03053 TEL.: (603)624-8311 FAX: (603)624-8312</p>	
	TOLERANCES ON											
DECIMALS	ANGLES											
.X ± .1	±0.5°											
.XX ± .02												
.XXX ± .005												
.XXXX ± .0005												
<p>TITLE</p> <p style="text-align: center; font-size: 1.2em;">OUTLINE, PACKAGE, (PK14-2)</p>		SIZE	CAGE CODE	DRAWING NO.								
		B	3BBY6	OL 17754								
		SCALE: 96:1	WEIGHT /	SHEET 1 OF 1								