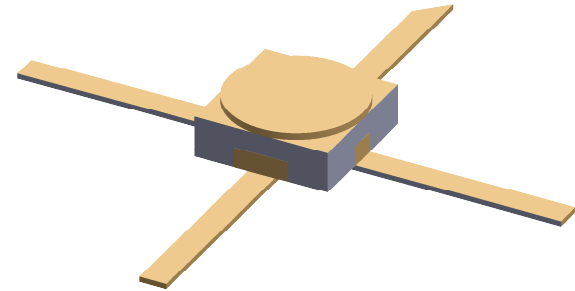
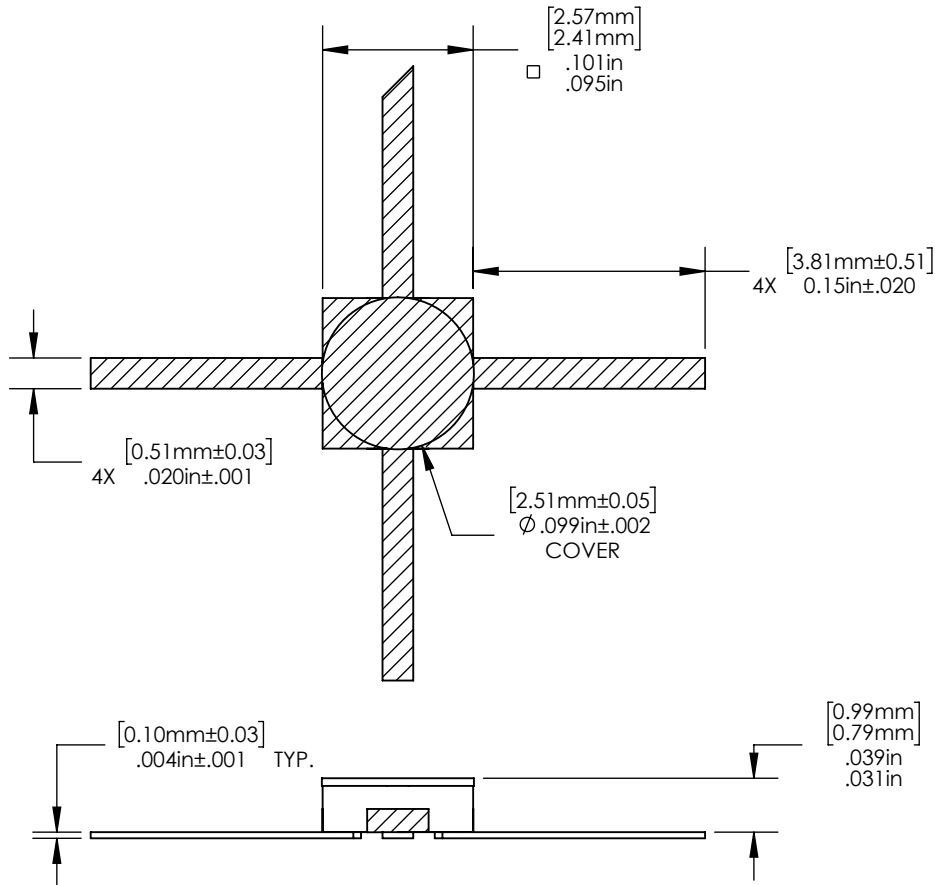


REVISIONS							
ZONE	REV	ECN#	DESCRIPTION	DATE	ENG. APPR.	QC. APPR.	PROD. APPR.
	A	1224	INITIAL RELEASE	10/1/2018			



NOTES:

1. SHADED OR HATCH AREAS DENOTES METALIZATION
2. MULTIPLE ELECTRICAL VARIATIONS AVAILABLE
 - CONSULT FACTORY FOR ELECTRICAL SCHEMATIC.
3. PACKAGE INTERNAL VOLUME: 0.000766259 CC
4. PHYSICAL INTERNAL VOLUME DEPENDENT UPON DIE SELECTION AND ATTACHMENT MATERIALS

UNLESS OTHERWISE SPECIFIED INTERPRET DRAWING PER ASME Y14.5 DO NOT SCALE THIS DRAWING	UNLESS OTHERWISE SPECIFIED DIMENSIONS ARE IN INCHES		54 Grenier Field Rd. Londonderry, NH 03053 TEL.: (603)624-8311 FAX: (603)624-8312							
	NOTE: THIS DRW INCORPORATES THIRD ANGLE PROJECTION		TITLE OUTLINE, PACKAGE, (PK22)							
 SemiGen CONFIDENTIAL INFORMATION SUBJECT TO NDA <small>The information contained in this document or material is the valuable and confidential property of SemiGen Technology Solutions Holdings, Inc. and/or its subsidiaries or affiliates (collectively "SemiGen"), provided to you subject to a non-disclosure agreement between you and SemiGen solely for use in supporting SemiGen's business as and to the extent SemiGen authorizes in writing from time to time. This information shall be held in strictest confidence and shall not be reproduced, published, disclosed to others, or used for any purpose except as and to the extent specifically authorized by SemiGen in a separate written agreement. If permission is granted for reproduction, this legend must be included in any and all copies. This document or material shall be promptly returned to SemiGen or destroyed upon request, completion of the use for which it was made available to recipient, or termination of SemiGen's relationship with recipient, whichever first occurs.</small>	TOLERANCES ON		SIZE B							
	<table border="1"> <thead> <tr> <th>DECIMALS</th> <th>ANGLES</th> </tr> </thead> <tbody> <tr> <td>.X ± .1</td> <td rowspan="4">±0.5°</td> </tr> <tr> <td>.XX ± .02</td> </tr> <tr> <td>.XXX ± .005</td> </tr> <tr> <td>.XXXX ± .0005</td> </tr> </tbody> </table>		DECIMALS	ANGLES	.X ± .1	±0.5°	.XX ± .02	.XXX ± .005	.XXXX ± .0005	CAGE CODE 3BBY6
DECIMALS	ANGLES									
.X ± .1	±0.5°									
.XX ± .02										
.XXX ± .005										
.XXXX ± .0005										
UNLESS OTHERWISE SPECIFIED ⁶³ / ALL OVER		DRAWING NO. OL 17504								
MATERIAL		SCALE: 8:1								
FINISH		WEIGHT / SHEET 1 OF 1								