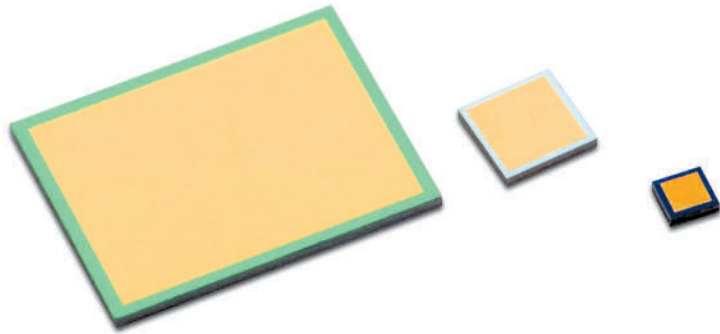


Chip and Mounting Capacitors *Space Qualified*

The SemiGen 8000 and 8100 series of Chip and Mounting Capacitors are available in a wide variety of capacitance ranges and sizes. They are made with prime starting material and consist of an Oxide/Nitride layer that provides low dielectric loss and high standoff voltage. These products are available in chip form only.



Features:

- Very High Q
- Low Temperature Coefficients
- Low Dissipation Factor
- Long-Term Stability
- Gold Contacts Front and Back
- Die as Thin as 2.5 mils for Limiting Inductance

Applications:

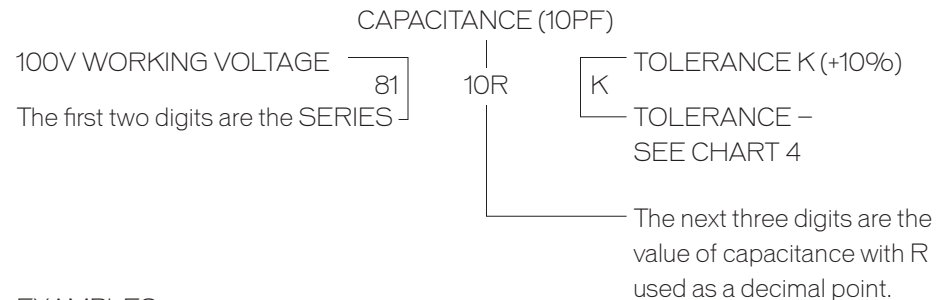
For use in applications that require DC protection, RF bypassing or fixed tuning of amplifiers, oscillators, switches, filters and multipliers.

HOW TO ORDER:

- Go to 8100 Series chart.
Select capacitance range required.
Check CHIP size for compatibility with your circuit.
- Go to 8000 Series chart for smaller chip size with lower working voltage.
- Specify part number and chip size at time of order.

8100 Series Capacitors, Working Voltage >100V		
Capacitance Range	Chip Size (+/- .002") Dim A x Dim B x Dim C	Type
0.1 pf thru 1.9 pf	.010" x .010" x .005"	810R1 thru 811R9
2.0 pf thru 9.9 pf	.015" x .015" x .005"	812R0 thru 819R9
10.0 pf thru 29.0 pf	.020" x .020" x .006"	8110R thru 8129R
30.0 pf thru 49.0 pf	.030" x .030" x .006"	8130R thru 8149R
50.0 pf thru 99.0 pf	.040" x .040" x .008"	8150R thru 8199R
100 pf thru 199 pf	.050" x .050" x .008"	81100 thru 81199
200 pf thru 399 pf	.070" x .070" x .008"	81200 thru 81399

8000 Series Capacitors, Working Voltage >50V		
Capacitance Range	Chip Size (+/- .002") Dim A x Dim B x Dim C	Type
2.0 pf thru 10.0 pf	.010" x .010" x .005"	802R0 thru 8010R
10.0 pf thru 29.0 pf	.015" x .015" x .005"	8010R thru 8029R
30.0 pf thru 49.0 pf	.020" x .020" x .006"	8030R thru 8049R
50.0 pf thru 99.0 pf	.030" x .030" x .006"	8050R thru 8099R
100 pf thru 199 pf	.040" x .040" x .008"	80100 thru 80199
200 pf thru 399 pf	.050" x .050" x .008"	80200 thru 80399
400 pf thru 600 pf	.070" x .070" x .008"	80400 thru 80600



EXAMPLES:

8110RK = > 100 WVDC 10 pF + 10% with a .020" CHIP SIZE

802ROJ = > 50 WVDC 2.0 pF + 5% with a .010" CHIP SIZE

