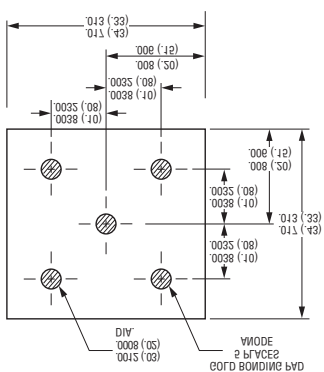
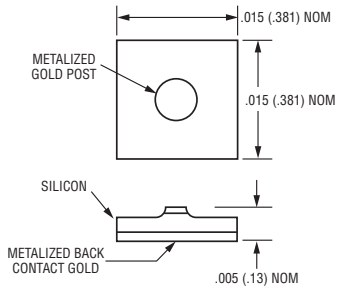


PK 10

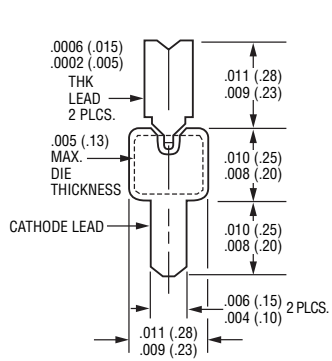


PK 11

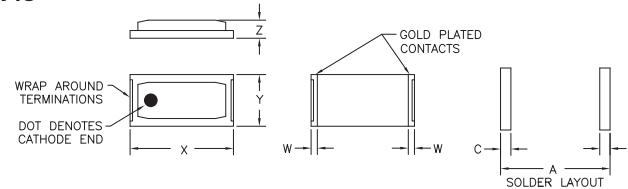


Notes:
Top contact & chip size depends on diode parameters.
Top & bottom contacts gold.
Consult factory.

PK 12

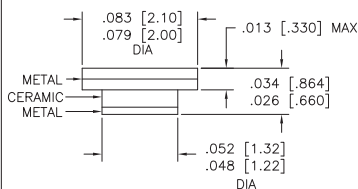


PK 19

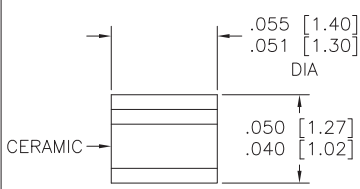


PKG STYLE	DIMENSION				SOLDER LAYOUT TYP			PACKAGE	
	W DIM	X DIM	Y DIM	Z DIM	A	B	C	CP AND LP	
PK19-1	12 (.304)	60 (1.52)	40 (1.01)	30 (.762)	72 (1.83)	40 (1.01)	20 (.508)	.09pF	35 nH
PK19-2	12 (.304)	75 (1.91)	50 (1.27)	35 (.889)	87 (2.21)	70 (1.78)	20 (.508)	.11pF	.4 nH
PK19-3	12 (.304)	100 (2.54)	50 (1.27)	35 (.889)	112 (2.84)	70 (1.78)	20 (.508)	.14pF	.4 nH
PK19-4	12 (.304)	120 (3.05)	60 (1.52)	35 (.889)	132 (3.35)	80 (2.03)	20 (.508)	.09pF	.4 nH
PK19-5	12 (.304)	200 (5.08)	100 (2.54)	35 (.889)	212 (5.38)	120 (3.05)	20 (.508)	.09pF	5 nH
PK19-6	10 (.254)	40 (1.01)	20 (.508)	30 (.762)	50 (1.27)	30 (.762)	15 (.381)	.06pF	35 nH
PK19-7	10 (.254)	60 (1.52)	20 (.508)	30 (.762)	70 (1.78)	30 (.762)	15 (.381)	.08pF	35 nH
TOL ±	2.0 (.051)	3.0 (.076)	3.0 (.076)	MAX.	NOM.	NOM.	NOM.	NOM.	

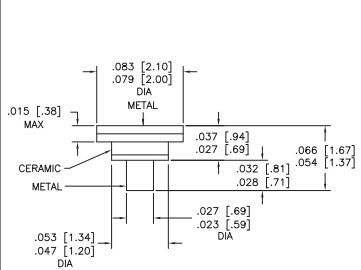
PK 31



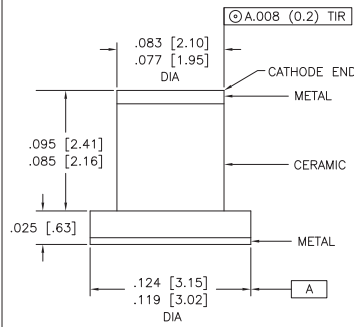
PK 32



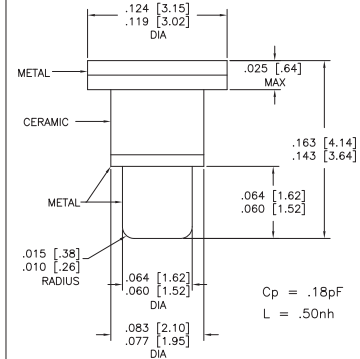
PK 33



PK 35

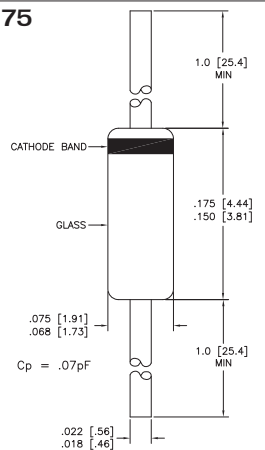


PK 36

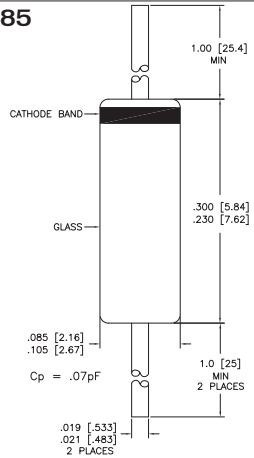


Cp = .18pF
L = .50nh

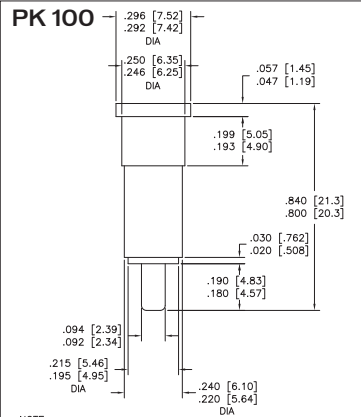
PK 75



PK 85

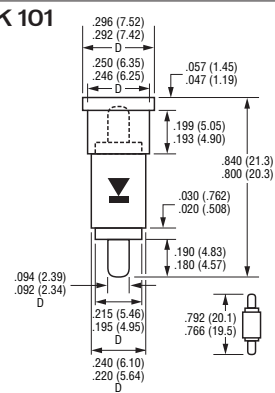


PK 100



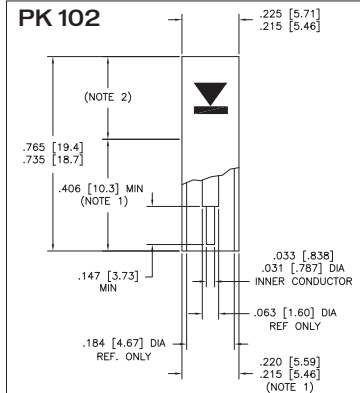
NOTE:
BASE NON-REMOVABLE ENCLOSING PRONG WITH DIMENSIONS SAME AS OTHER PRONG.

PK 101

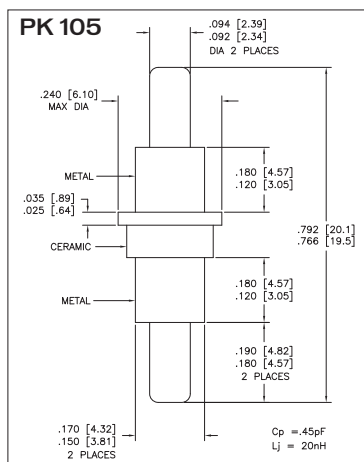
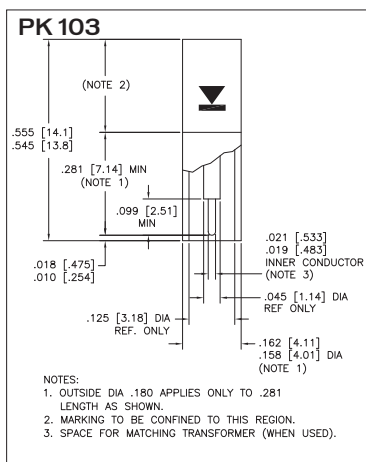
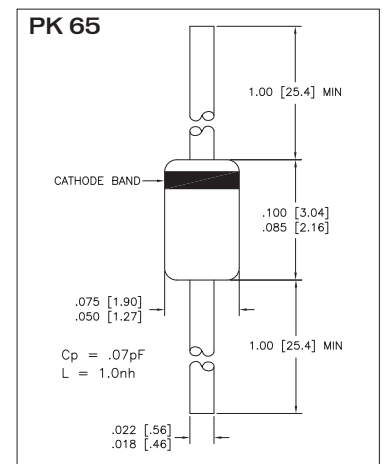
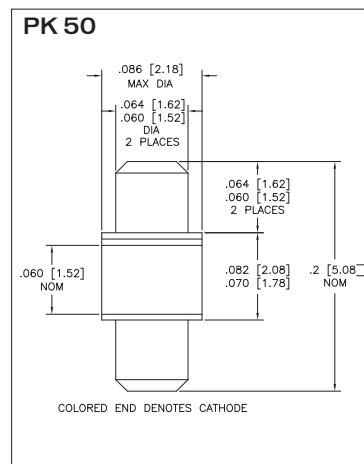
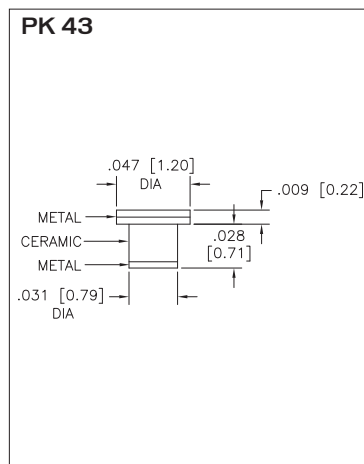
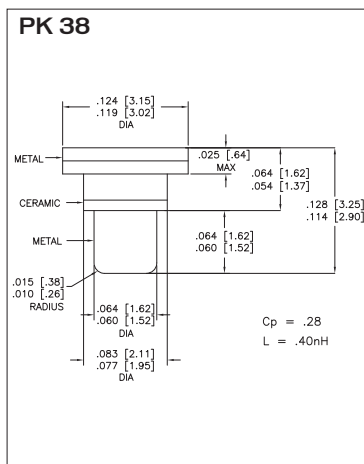
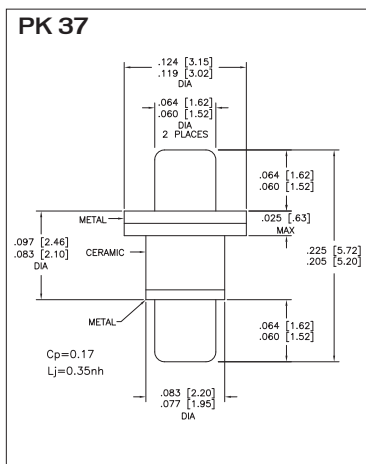
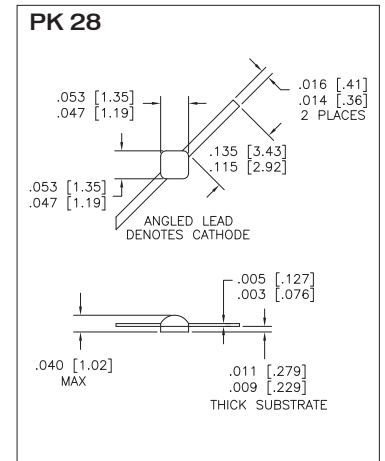
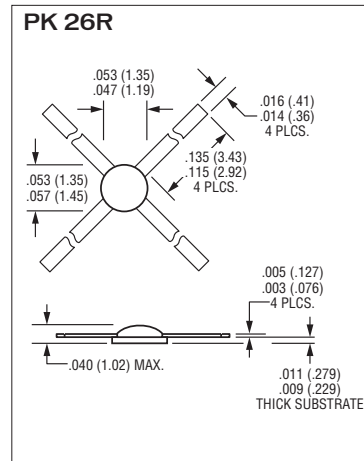
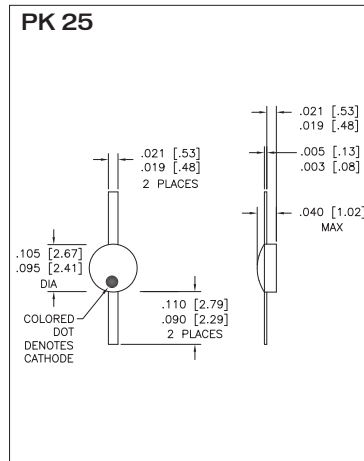
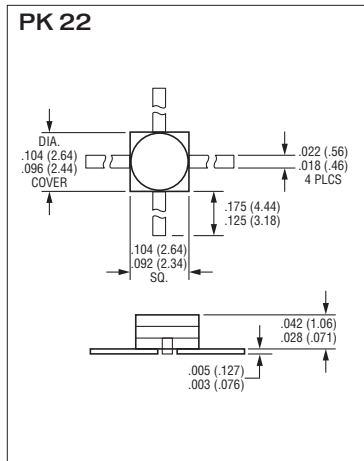
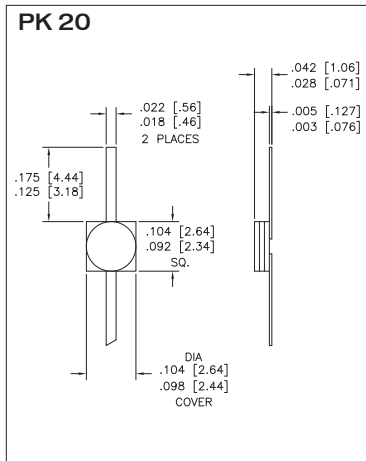


NOTE:
Base non-removable, enclosing prong with dimensions same as other prong.

PK 102



NOTES:
1. OUTSIDE DIA .220/.215 APPLIES ONLY TO 0.406 LENGTH AS SHOWN.
2. MARKING TO BE CONFINED TO THIS REGION.



Ordering Information

To order any of our services, semiconductors, or supplies please call our customer service team at **603-624-8311**, or visit our website and submit a Request for Quotation (RFQ).



920 Candia Road, Manchester, NH 03109
 Phone 603-624-8311 • Fax 603-624-8312
www.SemiGen.net